

# ELECTRONIC CRANE SCALES



**8204-CS3T**

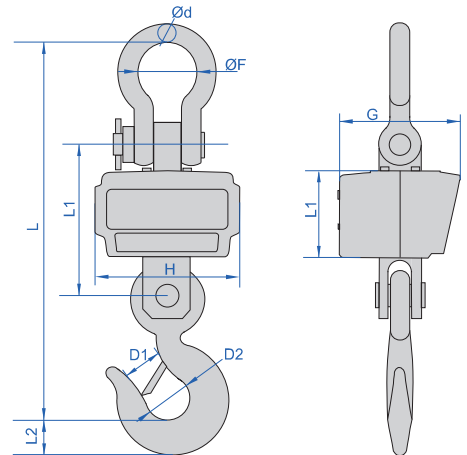
- Zeroing, taring, weighing
- LED display, remote control
- Low voltage indicator
- Unit: kg, lb
- Overload alarm
- Automatic power off
- Aluminum alloy die casting case with high strength



handheld display (optional)



remote controller (included)



## SPECIFICATION

Unit: mm

<b>Overload alarm</b>	100%F.S.+9e
<b>Maximum safe load</b>	150%F.S.
<b>Limited overload</b>	400%F.S.
<b>Stable reading time</b>	≤8s
<b>Power supply</b>	rechargeable battery 6V/4Ah (for 40 hours working)
<b>Operation temperature</b>	-10~40°C
<b>Operation humidity</b>	≤85% RH

Code	B	G	H	L	L1	L2	D1	ØD2	Ød	ØF
<b>8204-CS06T</b>	120	163	198	420	190	33	40	47	21	76
<b>8204-CS1T</b>	120	163	198	420	190	33	40	47	21	76
<b>8204-CS2T</b>	120	163	198	420	190	33	50	47	21	76
<b>8204-CS3T</b>	120	163	198	462	196	40	50	50	23	76
<b>8204-CS5T</b>	120	163	198	511	204	47	52	60	26	80
<b>8204-CS10T</b>	135	181	206	589	239	66	52	70	36	90
<b>8204-CS15T</b>	135	181	206	727	257	77	60	85	47	135

## SPECIFICATION

Code	8204-CS06T	8204-CS1T	8204-CS2T
<b>Maximum weighing</b>	600kg	1000kg	2000kg
<b>Minimum weighing</b>	5kg	10kg	20kg
<b>Resolution (d)</b>	0.2kg/0.1kg	0.5kg/0.2kg	1kg/0.5kg
<b>Verification interval (e)</b>	0.2kg	0.5kg	1kg
<b>Accuracy (m is load)</b>	m≤100kg: ±0.1kg; 50kg<m≤200kg: ±0.2kg; m>200kg: ±0.3kg	m≤250kg: ±0.25kg; 250kg<m≤1000kg: ±0.5kg	m≤500kg: ±0.5kg; 500kg<m≤2000kg: ±1kg



large display (optional)

## SPECIFICATION

Code	8204-CS3T	8204-CS5T	8204-CS10T	8204-CS15T
<b>Maximum weighing</b>	3000kg	5000kg	10000kg	15000kg
<b>Minimum weighing</b>	30kg	50kg	100kg	100kg
<b>Resolution (d)</b>	1kg/0.5kg	2kg/1kg	5kg/2kg	5kg/2kg
<b>Verification interval (e)</b>	1kg	2kg	5kg	5kg
<b>Accuracy (m is load)</b>	m≤500kg: ±0.5kg; 500kg<m≤2000kg: ±1kg; m>2000kg: ±1.5kg	m≤1000kg: ±1kg; 1000kg<m≤4000kg: ±2kg; m>4000kg: ±3kg	m≤2500kg: ±2.5kg; 2500kg<m≤10000kg: ±5kg	m≤2500kg: ±2.5kg; 2500kg<m≤10000kg: ±5kg; m>10000kg: ±7.5kg

## STANDARD DELIVERY

<b>Main unit</b>	1 pc
<b>Remote controller</b>	1 pc
<b>Battery charger</b>	1 pc

## OPTIONAL ACCESSORY

<b>Handheld display</b>	<b>8204-INDICATOR</b> (must be supplied with scales together)
<b>Large display</b>	<b>8204-SCREEN</b> (must be supplied with scales together)